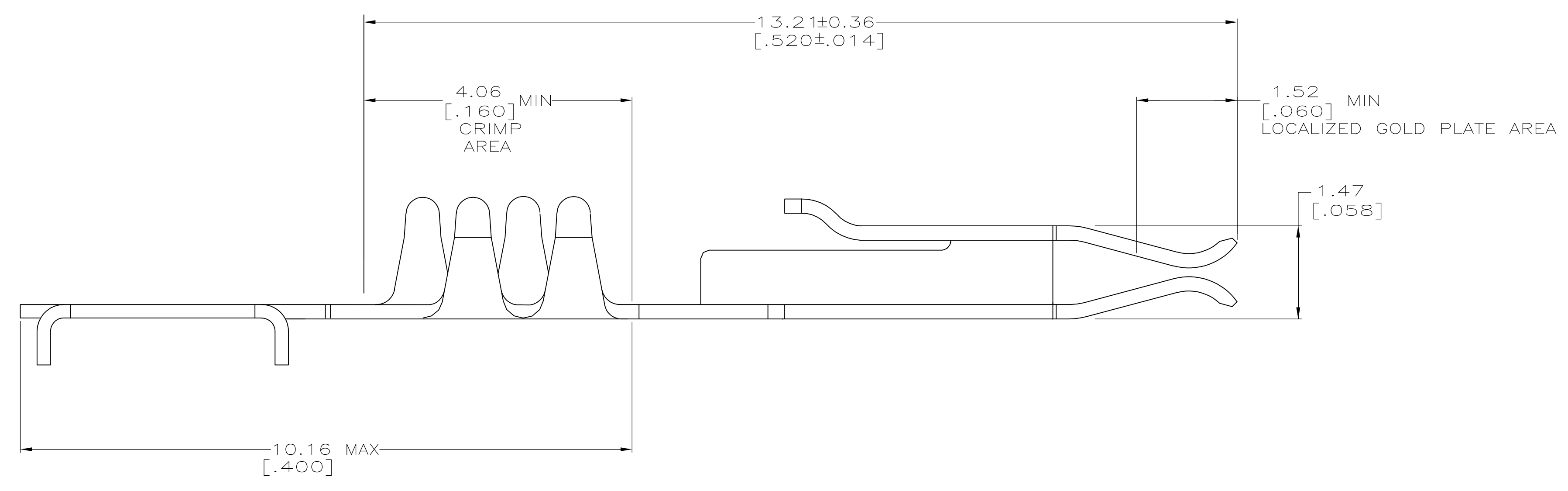
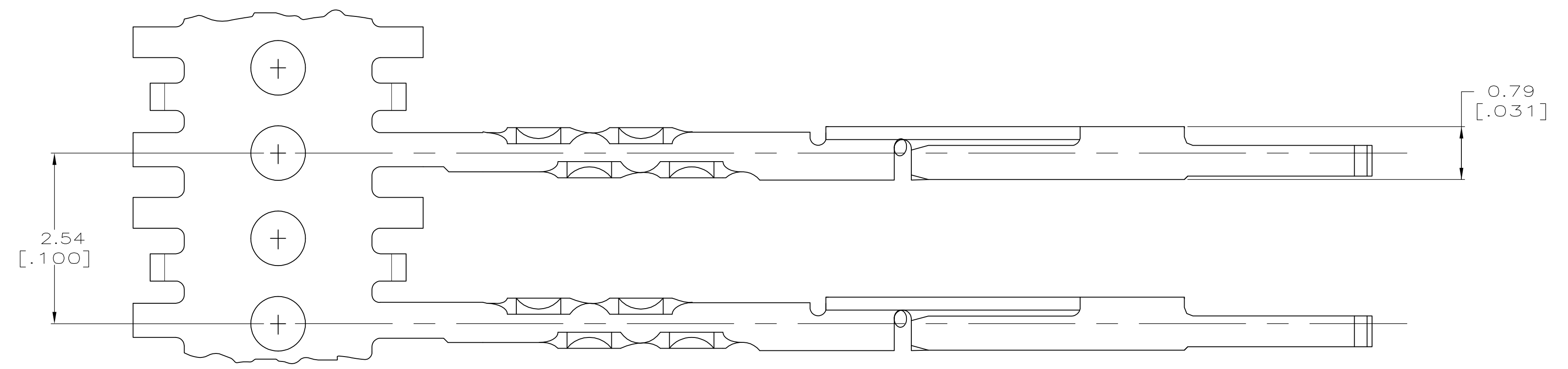
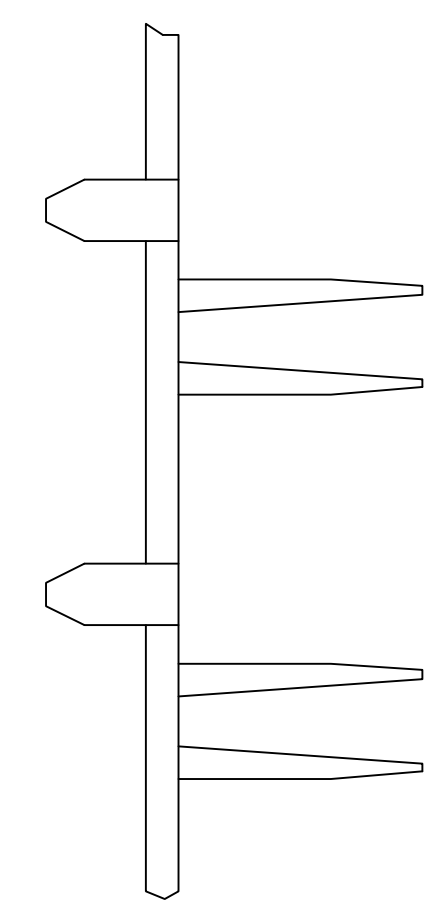


- 1. 0.76 μm [.000030] MIN GOLD ON LOCALIZED GOLD PLATE AREA, 2.54 μm [.000100] MIN TIN-LEAD ON CRIMP AREA BOTH OVER, 1.27 μm [.000050] MIN NICKEL ON ENTIRE CONTACT.
- 2. 0.38 μm [.000015] MIN GOLD ON LOCALIZED GOLD PLATE AREA, 2.54 μm [.000100] MIN TIN-LEAD ON CRIMP AREA, BOTH OVER 1.27 μm [.000050] MIN NICKEL ON ENTIRE CONTACT.
- 3. ACCEPTS 0.38 \pm 0.03 [.015 \pm .001] SQUARE POST, 3.18-8.89 [.125-.350] LONG.
- 4. 0.76 μm [.000030] MIN GOLD ON LOCALIZED GOLD PLATE AREA, GOLD FLASH IN CRIMP AREA, BOTH OVER 1.27 μm [.000050] MIN NICKEL ON ENTIRE CONTACT.
- 5. 0.38 μm [.000015] MIN GOLD ON LOCALIZED GOLD PLATE AREA, GOLD FLASH IN CRIMP AREA, BOTH OVER 1.27 μm [.000050] MIN NICKEL ON ENTIRE CONTACT.



5	1-487547-2
4	1-487547-1
2	487547-9
1	487547-1
FINISH	PART NUMBER

THIS DRAWING IS A CONTROLLED DOCUMENT.

DIMENSIONS: mm [INCHES]	TOLERANCES UNLESS OTHERWISE SPECIFIED:	DIN L/SIPE 5-13-92	05/05/92
0.216 [.0085] THICK	0. PLC ± - 1. PLC ± - 2. PLC ± 0.13 [.005] 3. PLC ± 0.013 [.0005] 4. PLC ± - ANGLES ± -	CHK R.STONE	5-13-92
SEE TABLE	FINISH	APVD	NAME
		PRODUCT SPEC 108-16022	Tyco Electronics Corporation Harrisburg, PA 17105-3608
		APPLICATION SPEC 114-16008	CONTACT, RECEPTACLE, .050 C/L, FFC
		WEIGHT	SIZE CASE CODE DRAWING NO A1 00779 C=487547
		CUSTOMER DRAWING	RESTRICTED TO
		SCALE 20:1	SHEET 1 OF 1 REV M